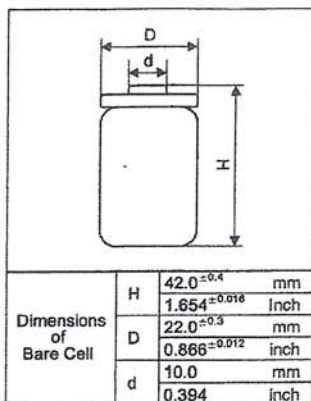


Datenblatt für AKKU

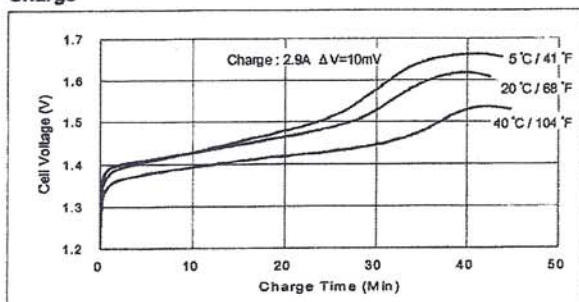
Ein Akkupack besteht aus 12 der unten im Datenblatt aufgeführten Zellen



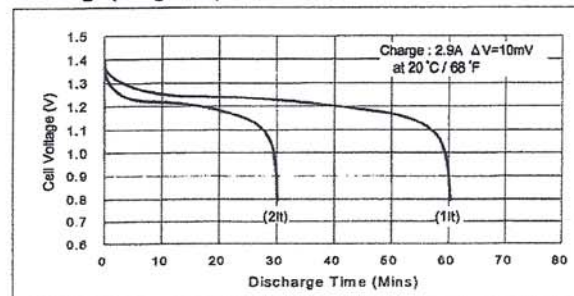
Nominal Capacity		1900mAh
Nominal Voltage		1.2V
Charging Current	Standard	190mA
	Fast	2900mA
Charging Time	Standard	14 to 16Hrs.
	Fast	about 1Hr
Ambient Temperature	Charge Standard	0 °C to +45 °C [+32 °F to 113 °F]
	Charge Fast	5 °C to +40 °C [+41 °F to 104 °F]
	Discharge.	-20 °C to +60 °C [-4 °F to 140 °F]
Storage		-30 °C to +50 °C [-22 °F to 122 °F]
Internal Impedance (Av.) (at 50% discharge)		4.5m Ω (at 1000Hz)
Weight (with tube)		Approx. 52g / 1.84oz
Dimensions(D) × (H) (with tube)		22.9 ⁰ _{-1.0} × 42.9 ⁰ _{-1.2} mm 0.90 ⁰ _{-0.04} × 1.69 ⁰ _{-0.05} inch

Typical Characteristics

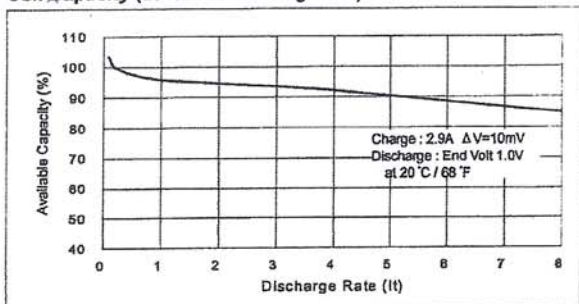
Charge



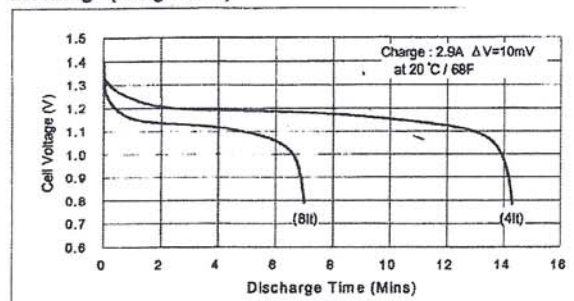
Discharge (at high rate)



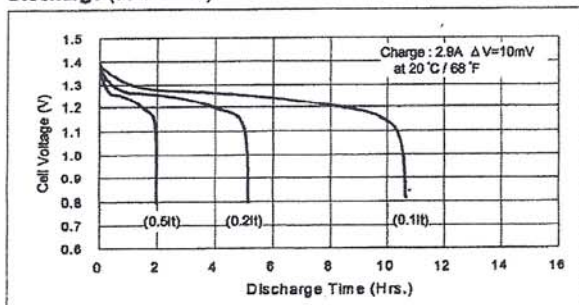
Cell Capacity (at various discharge rate)



Discharge (at high rate)



Discharge (at low rate)



Temperature (Charge & Discharge)

